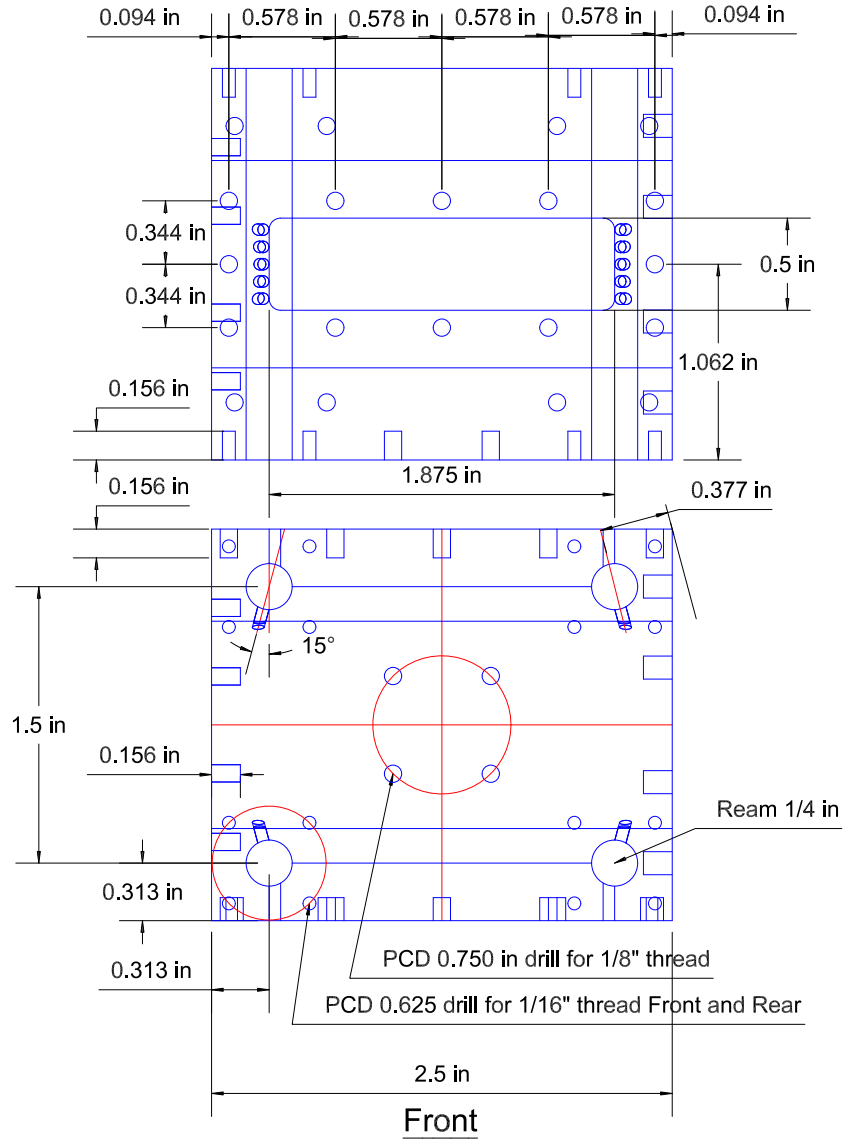
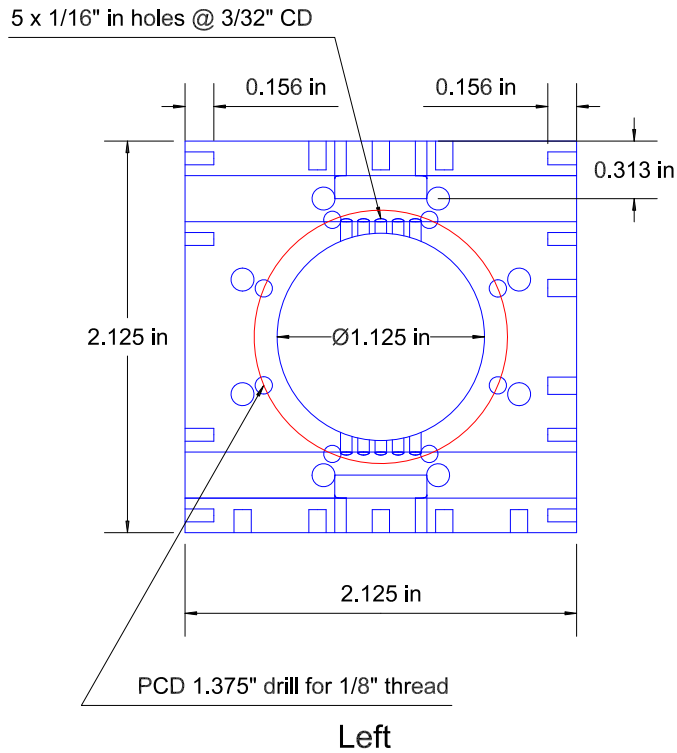


NB: Thread sizes are nominal to allow for
 BA, US No., even metric!
 Threaded hole depths 0.156"



Part: **Cylinder Sheet 1**

Material: **Mild Steel or Cast Iron**

REV	DATE	DESCRIPTION

Title: **Corliss Steam Engine**

Scale: **1 : 1**

Date: **Oct 2012**

